
355C, D, E, F
VHF Attenuators

Operating and Service
Manual

Agilent Part Number: 00355-90051
Printed in USA
March 2001
Supersedes: February 1997

Notice

The information contained in this document is subject to change without notice.

Agilent Technologies makes no warranty of any kind with regard to this material, including, but not limited to, the implied warranties of merchantability and fitness for a particular purpose. Agilent Technologies shall not be liable for errors contained herein or for incidental or consequential damages in connection with the furnishing, performance, or use of this material.

Agilent Technologies assumes no responsibility for the use or reliability of its software on equipment that is not furnished by Agilent Technologies.

This document contains proprietary information which is protected by copyright. All rights are reserved. No part of this document may be photocopied, reproduced, or translated to another language without prior written consent of Agilent Technologies.

Restricted Rights Legend

Use, duplication, or disclosure by the U.S. Government is subject to restrictions as set forth in subparagraph (c)(1)(ii) of the Rights in Technical Data and Computer Software clause at DFARS 252.227-7013 for DOD agencies, and subparagraphs (c)(1) and (c)(2) of the Commercial Computer Software Restricted Rights clause at FAR 52.227-19 for other agencies.

Serial Number Prefix

The specifications in this manual apply to the instruments with the following serial numbers or greater:

Model	Serial Numbers (min.)
355C	2524A44630
355D	2522A46649
355E	1205A38159
355F	1203A03244

Agilent Technologies, Inc
Santa Rosa Systems Division
1400 Fountaingrove Parkway
Santa Rosa, CA 95403-1799, U.S.A.

© Copyright 1997, 2001 Agilent Technologies, Inc

What You'll Find in This Manual...

This operating and service manual contains the following:

- Instrument Description and Specifications
- Replaceable Parts and Accessories
- Installation Instructions
- Operating Instructions
- Schematics and Diagrams

Warranty

Custom systems are warranted by contractual agreement between Agilent Technologies and the Customer.

Certification

Agilent Technologies certifies that this product met its published specifications at the time of shipment from the factory. Agilent Technologies further certifies that its calibration measurements are traceable to the United States National Institute of Standards and Technology (NIST, formerly NBS), to the extent allowed by the Institute's calibration facility, and to the calibration facilities of other International Standards Organization members.

Warranty

This Agilent Technologies system product is warranted against defects in materials and workmanship for a period corresponding to the individual warranty periods of its component products. Instruments are warranted for a period of one year. During the warranty period, Agilent Technologies will, at its option, either repair or replace products that prove to be defective.

Warranty service for products installed by Agilent Technologies and certain other products designated by Agilent Technologies will be performed at Buyer's facility at no charge within Agilent Technologies service travel areas. Outside Agilent Technologies service travel areas, warranty service will be performed at Buyer's facility only upon Agilent Technologies's prior agreement and Buyer shall pay Agilent Technologies's round trip travel expenses. In all other areas, products must be returned to a service facility designated by Agilent Technologies.

For products returned to Agilent Technologies for warranty service, Buyer shall prepay shipping charges to Agilent Technologies and Agilent Technologies shall pay shipping charges to return the product to Buyer. However, Buyer shall pay all shipping charges, duties, and taxes for products returned to Agilent Technologies from another country.

Agilent Technologies warrants that its software and firmware designated by Agilent Technologies for use with an instrument will execute its programming instructions when properly installed on that instrument. Agilent Technologies does not warrant that the operation of the instrument, or software, or firmware will be uninterrupted or error free.

LIMITATION OF WARRANTY. The foregoing warranty shall not apply to defects resulting from improper or inadequate maintenance by Buyer, Buyer-supplied software or interfacing, unauthorized modification or misuse, operation outside of the environmental specifications for the product, or improper site preparation or maintenance.

NO OTHER WARRANTY IS EXPRESSED OR IMPLIED. AGILENT TECHNOLOGIES SPECIFICALLY DISCLAIMS THE IMPLIED WARRANTIES OR MERCHANTABILITY AND FITNESS FOR A PARTICULAR PURPOSE.

EXCLUSIVE REMEDIES. THE REMEDIES PROVIDED HEREIN ARE BUYER'S SOLE AND EXCLUSIVE REMEDIES. AGILENT TECHNOLOGIES SHALL NOT BE LIABLE FOR ANY DIRECT, INDIRECT, SPECIAL, INCIDENTAL, OR CONSEQUENTIAL DAMAGES, WHETHER BASED ON CONTRACT, TORT, OR ANY OTHER LEGAL THEORY.

Assistance

Product maintenance agreements and other customer assistance agreements are available for Agilent Technologies products.

For assistance, call your local Agilent Technologies Sales and Service Office (refer to ["Support and Service"](#)).

Support and Service

Any adjustment, maintenance, or repair of this product must be performed by qualified personnel. Contact your local Agilent Technologies sales and service office.

UNITED STATES		
Instrument Support Center Agilent Technologies (800) 403-0801		
EUROPEAN FIELD OPERATIONS		
Headquarters Agilent Technologies S.A. 150, Route du Nant-d'Avril 1217 Meyrin 2/ Geneva Switzerland (41 22) 780.8111	France Agilent Technologies France 1 Avenue Du Canada Zone D'Activite De Courtaboeuf F-91947 Les Ulis Cedex France (33 1) 69 82 60 60	Germany Agilent Technologies GmbH Agilent Technologies Strasse 61352 Bad Homburg v.d.H Germany (49 6172) 16-0
Great Britain Agilent Technologies Ltd. Eskdale Road, Winnersh Triangle Wokingham, Berkshire RG41 5DZ England (44 118) 9696622		
INTERCON FIELD OPERATIONS		
Headquarters Agilent Technologies 3495 Deer Creek Rd. Palo Alto, CA 94304-1316 USA (415) 857-5027	Australia Agilent Technologies Australia Ltd. 31-41 Joseph Street Blackburn, Victoria 3130 (61 3) 895-2895	Canada Agilent Technologies (Canada) Ltd. 17500 South Service Road Trans-Canada Highway Kirkland, Quebec H9J 2X8 Canada (514) 697-4232
Japan Agilent Technologies Japan, Ltd. Measurement Assistance Center 9-1, Takakura-Cho, Hachioji-Shi, Tokyo 192-8510, Japan TEL (81) -426-56-7832 FAX (81) -426-56-7840	Singapore Agilent Technologies Singapore (Pte.) Ltd. 150 Beach Road #29-00 Gateway West Singapore 0718 (65) 291-9088	Taiwan Agilent Technologies Taiwan 8th Floor, H-P Building 337 Fu Hsing North Road Taipei, Taiwan (886 2) 712-0404
China China Agilent Technologies 38 Bei San Huan X1 Road Shuang Yu Shu Hai Dian District Beijing, China (86 1) 256-6888		

Safety and Regulatory Information

Review this product and related documentation to familiarize yourself with safety markings and instructions before you operate the instrument. This product has been designed and tested in accordance with international standards.

WARNING

The **WARNING** notice denotes a hazard. It calls attention to a procedure, practice, or the like, that, if not correctly performed or adhered to, could result in personal injury. Do not proceed beyond a **WARNING** notice until the indicated conditions are fully understood and met.

CAUTION

The **CAUTION** notice denotes a hazard. It calls attention to an operating procedure, practice, or the like, which, if not correctly performed or adhered to, could result in damage to the product or loss of important data. Do not proceed beyond a **CAUTION** notice until the indicated conditions are fully understood and met.

Instrument Markings



When you see this symbol on your instrument, you should refer to the instrument's instruction manual for important information.



This symbol indicates hazardous voltages.



The laser radiation symbol is marked on products that have a laser output.



This symbol indicates that the instrument requires alternating current (ac) input.



The CE mark is a registered trademark of the European Community. If it is accompanied by a year, it indicates the year the design was proven.



The CSA mark is a registered trademark of the Canadian Standards Association.

1SM1-A

This text indicates that the instrument is an Industrial Scientific and Medical Group 1 Class A product (CISPER 11, Clause 4).



This symbol indicates that the power line switch is ON.



This symbol indicates that the power line switch is OFF or in STANDBY position.

Safety Earth Ground



This is a Safety Class I product (provided with a protective earthing terminal). An uninterruptible safety earth ground must be provided from the main power source to the product input wiring terminals, power cord, or supplied power cord set. Whenever it is likely that the protection has been impaired, the product must be made inoperative and secured against any unintended operation.

Before Applying Power

Verify that the product is configured to match the available main power source as described in the input power configuration instructions in this manual. If this product is to be powered by autotransformer, make sure the common terminal is connected to the neutral (grounded) side of the ac power supply.

Typeface Conventions

- Italics**
 - Used to emphasize important information:
Use this software *only* with the xxxxxX system.
 - Used for the title of a publication:
Refer to the xxxxxX *System-Level User's Guide*.
 - Used to indicate a variable:
Type LOAD BIN *filename*.
- Instrument Display**
 - Used to show on-screen prompts and messages that you will see on the display of an instrument:
The xxxxxX will display the message **CAL1 SAVED**.
- [Keycap]**
 - Used for labeled keys on the front panel of an instrument or on a computer keyboard:
Press **[Return]**.
- {Softkey}**
 - Used for simulated keys that appear on an instrument display:
Press *{Prior Menu}*.
- User Entry**
 - Used to indicate text that you will enter using the computer keyboard; text shown in this typeface must be typed *exactly* as printed:
Type LOAD PARMFILE
 - Used for examples of programming code:

```
#endif // ifndef NO_CLASS
```
- Path Name**
 - Used for a subdirectory name or file path:
Edit the file *usr/local/bin/sample.txt*
- Computer Display**
 - Used to show messages, prompts, and window labels that appear on a computer monitor:
The **Edit Parameters** window will appear on the screen.
 - Used for menus, lists, dialog boxes, and button boxes on a computer monitor from which you make selections using the mouse or keyboard:
Double-click **EXIT** to quit the program.

Contents

Notice	ii
What You'll Find in This Manual...	iii
Warranty	iv
Certification	iv
Assistance	v
Support and Service	vi
Safety and Regulatory Information	vii
Safety Earth Ground	viii
Before Applying Power	viii
Typeface Conventions	ix
General Information	1
Description	1
Specifications	5
Power Rating	6
Accessories Supplied	6
Attenuator Options	6
Attenuator Options	7
Installation	8
Initial Inspection	8
Mating Connectors	8
Operating Environment	8
Storage and Shipment	8
Operating Instructions	9
Operator's Check	9
Performance Tests	12
Replaceable Parts	13

General Information

This manual contains operating instructions for 355C, 355D, 355E, and 355F VHF Attenuators. Included in the manual is the information required to install and test these attenuators.

Description

The Agilent Technologies Model 355C, 355D, 355E, and 355F attenuators are 50-ohm, coaxial step attenuators usable from dc to 1 GHz. Models 355C and 355E provide 0 to 12 dB of attenuation in 1 dB steps.

Models 355D and 355F provide 0 to 120 dB of attenuation in 10 dB steps. The 355C and 355D are manual attenuators. The 355E and 355F are programmable. The schematic for the Model 355C/D is shown in Figure 1. and that of the Model 355E/F in Figure 2.

The attenuator sections consist of resistor pi networks which are switched in or bypassed by microswitches. In the 355C and 355D the microswitches are actuated by cams (see Figure 1). In the 355E and 355F the microswitches are actuated by solenoids (see Figure 2). The standard RF connectors are BNC type.

In the 355E and 355F power must be continuously applied to the solenoid to actuate the microswitch (i.e., to insert an attenuator section). Each solenoid draws approximately 0.1A at 15 Vdc.

Dimensions for the individual instruments are provided in Table 1.

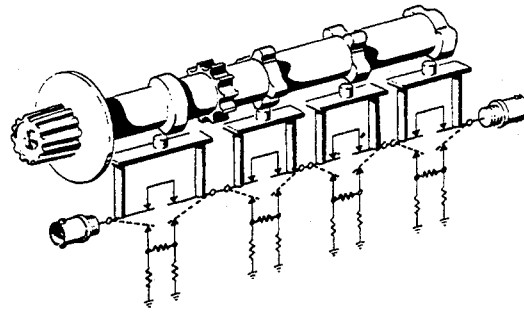
General Information

NOTE

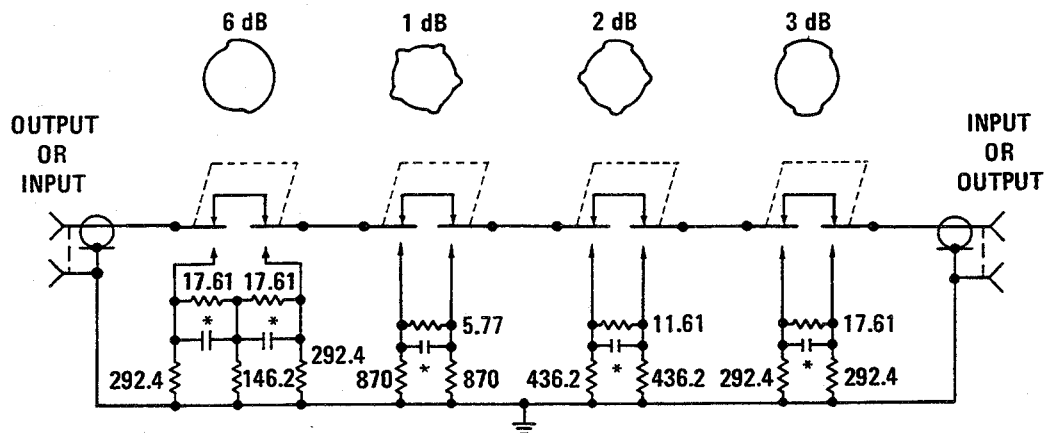
Dimensions are for general information *only*. If accurate dimensions are required for building special enclosures, contact your nearest Agilent Technologies office.

Table 1 *Dimensions*

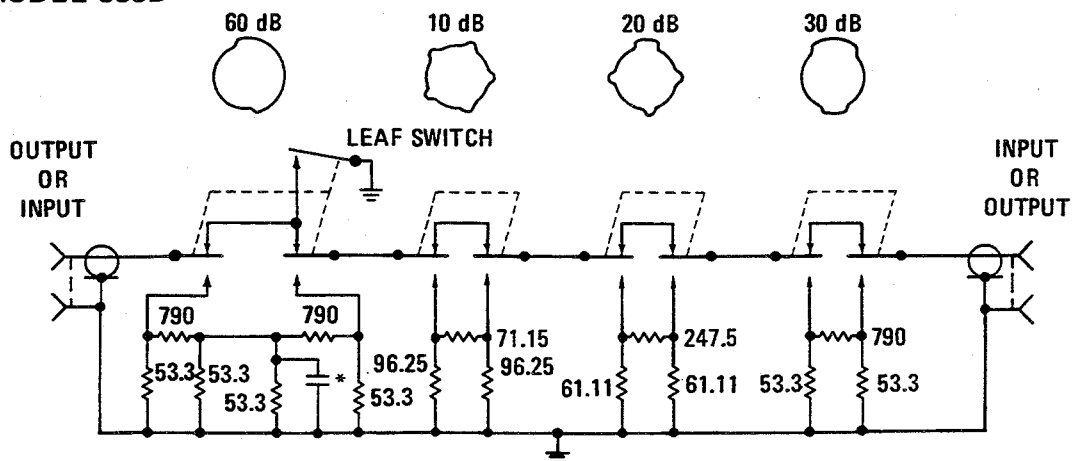
	355C, D	355E, F
Length	152 mm (5.98 in)	137 mm (5.39 in)
Height	69 mm (2.72 in)	72 mm (2.83 in)
Width (without RF connectors)	45 mm (1.77 in)	45 mm (1.77 in)
Width (with connectors):		
Standard (BNC)	73 mm (2.88 in)	73 mm (2.88 in)
Option 001 (Type N)	94 mm (3.70 in)	121 mm (4.76 in)
Option 005 (TNC)	69 mm (2.72 in)	24 mm (0.94 in)
Protrusion of connectors:		
BNC	14.06 mm (0.55 in)	14.06 mm (0.55 in)
Type N	24.5 mm (1.00 in)	24.5 mm (1.00 in)
TNC	12 mm (0.47 in)	12 mm (0.47 in)



MODEL 355C



MODEL 355D

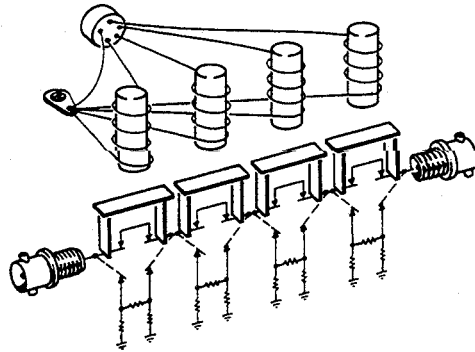


NOTES

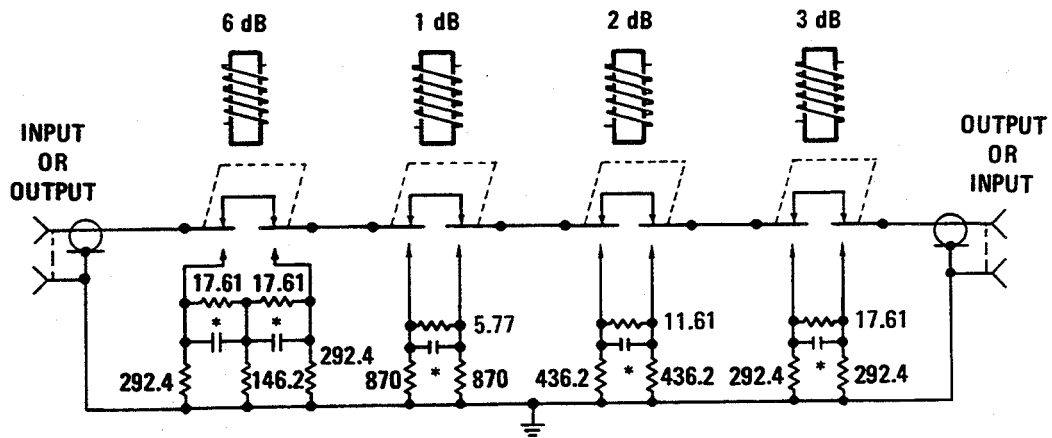
1. Microswitches shown in 0 dB position.
2. Resistances in ohms ($\pm 1/2\%$).
3. Capacitance values factory-adjusted.
4. *Asterisk denotes factory selected value.

Figure 1 355C and 355D Schematic Diagram

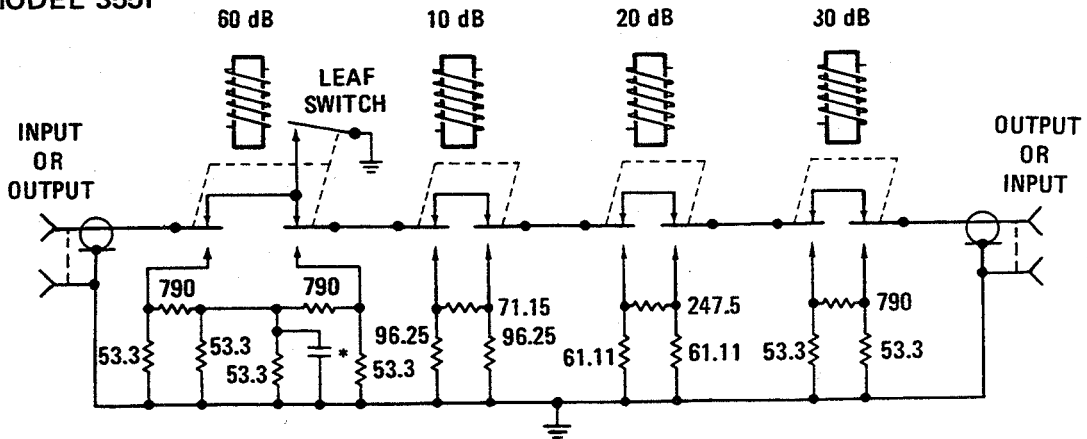
General Information



MODEL 355E



MODEL 355F



NOTES

1. Microswitches shown in 0 dB position.
2. Resistances in ohms ($\pm 1/2\%$).
3. Capacitance values factory-adjusted.
4. *Asterisk denotes factory selected value.

Figure 2 355E and 355F Schematic Diagram

Specifications

Instrument specifications are listed in Table 2. These specifications are the performance standards or limits against which the instruments may be tested.

Table 2 *Specifications*

MODELS 355C and 355E	
Attenuation Range	0 to 12 dB
Attenuation Steps	1 dB
Overall Accuracy:	
at 1000 Hz	±0.1 dB
dc to 500 MHz	±0.25 dB
dc to 1000 MHz	±0.35 dB
MODELS 355D and 355F	
Attenuation Range	0 to 120 dB
Attenuation Steps	10 dB
Overall Accuracy:	
at 1000 Hz	0 to 120 dB ± 0.3 dB
below 1000 MHz	0 to 90 dB ± 1.5 dB
	90 to 120 dB ± 3 dB
MODELS 355E and 355F	
Switching Speed	65 ms
Required Solenoid Power	+15 to +18 Vdc, 1/8 A
MODELS 355C/E and 355D/F	
Frequency Range	dc to 1000 MHz
Impedance	50 ohms (nominal)
Maximum SWR (input and output):	
below 250 MHz	1.2
below 500 MHz	1.3
below 1000 MHz	1.5
Maximum residual attenuation (insertion loss at 0 dB)	0.20 dB + 2.30 dB/GHz
Maximum power dissipation	0.5W (average)
Maximum pulse voltage	350 Vpk 200 μsec
Connectors	
Standard	BNC (female)
Option 001	Type - N (female)
Option 005	TNC (female)

Power Rating

CAUTION

Do not exceed the RF power rating of 0.5W average, or 2450W peak with a maximum pulse width of 200 μ s. Do not connect an attenuator RF input or output connector to greater than ± 5 Vdc. If the attenuator must be connected to a device with a potential greater than ± 5 Vdc, use a blocking capacitor.

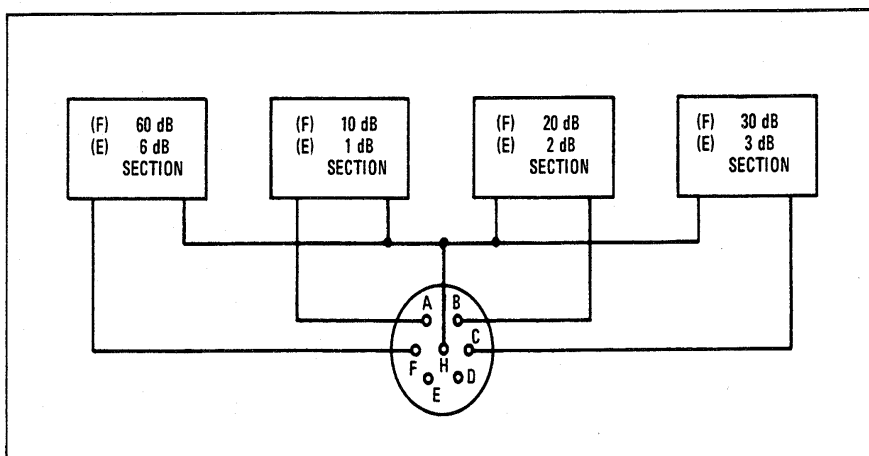
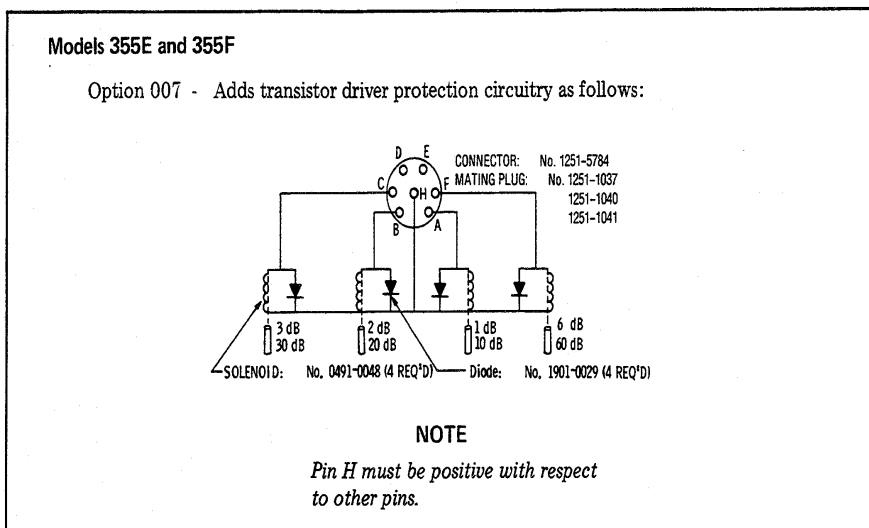
Accessories Supplied

The 355E and 355F programmable attenuators are supplied with a 7-pin, male connector (1251-1037) for the solenoid drive input.

Attenuator Options

Figure 3 shows solenoid and connector wiring diagrams available under Option 007 for 355E and 355F.

Attenuator Options



To obtain attenuation settings given below, apply +15 to +18 Vdc between Pin H (common) and Pins:

355E	355F	Pins	355E	355F	Pins
1 dB	10 dB	A	7 dB	70 dB	F, A
2 dB	20 dB	B	8 dB	80 dB	F, B
3 dB	30 dB	C	9 dB	90 dB	F, C
4 dB	40 dB	C, A	10 dB	100 dB	F, C, A
5 dB	50 dB	C, B	11 dB	110 dB	F, C, B
6 dB	60 dB	F	12 dB	120 dB	F, C, B, A

Figure 3 355E and 355F Solenoid and Connector Wiring Diagrams

Installation

Initial Inspection

Inspect the shipping container for damage. If the shipping container or cushioning material is damaged, it should be kept until the contents of the shipment have been checked mechanically and electrically. A procedure for checking electrical performance is given under "Operator's Check" (see Performance Tests). If the contents of the shipment are incomplete, if there is mechanical damage or defect, or if the instrument does not pass the electrical performance test, notify the nearest Agilent Technologies office. If the shipping container is damaged, or the cushioning material shows signs of stress, notify the carrier as well as Agilent Technologies. Keep the shipping materials for the carrier's inspection.

Mating Connectors

Mating RF input and output connectors used with the attenuators should be:

- Standard Type BNC
- Option 001 Type N
- Option 005 Type TNC

For the 355E and 355F, the solenoid drive connector plug is 7-pin male connector (1251-1037).

Operating Environment

The operating environment of the instrument should be within the following limitations:

- Temperature 0° to +55° C
- Humidity <95% relative
- Altitude. <4,570 m (15,000 ft)

Storage and Shipment

Environment

The instrument should be stored in a clean, dry environment. The following environmental limitations apply to both storage and shipment:

- Temperature -40° C to +75° C
- Humidity < 95% relative
- Altitude. < 7,620 m (25,000 ft)

Original Packaging

Containers and materials identical to original packaging are available from Agilent Technologies. If the instrument is being returned to Agilent Technologies, attach a tag indicating the type of service required, return address, model number, and serial number. Also, mark the container FRAGILE to assure careful handling. In any correspondence, refer to the instrument by model number and full serial number.

Operating Instructions

CAUTION

Do not apply RF power greater than 0.5W average, or 2450W peak with a maximum pulse width of 200 μ s. If these limits are exceeded, the attenuator may be damaged.

Either RF connector may be used as the input or output connector, except in the case of the 355D/F driven from a low impedance source. This is because the leaf switch (Figures 1 and 2) may be closed before the microswitch opens when the dial is switched from 50 dB to 60 dB. Should this occur, a momentary short is placed across the connector, inviting damage to either the microswitch or the signal source. Therefore, if the signal source is subject to damage by a short, use the rear most connector for the input. (The dial or solenoid connector is at the front of the attenuator.) This pads the momentary short with 50 dB of isolation. For the 355E and 355F, wire the solenoid drive plug supplied using Figure 3 as a wiring guide. An un-energized attenuator solenoid section is 0 dB. Apply +1.5 to +18 Vdc (with respect to pin H) to energize an attenuator solenoid. A programming table is also given in Figure 3.

Operator's Check

This section describes the procedures for the operator to make a quick check of the attenuator prior to use or if a failure is suspected.

NOTE

Troubleshooting consists of performing the following Operator's Check. If the instrument does not perform within limits, return the instrument to the nearest Agilent Technologies office.

Description

The attenuator is driven from a 50-ohm signal source at 1 kHz. The output level from the attenuator is detected by a narrow-bandwidth voltmeter (that is, the SWR meter). The attenuator and detector range switches are stepped together and the variations in level noted. This verifies that each attenuator section is being properly switched and checks the low frequency accuracy of the attenuator.

Operating Instructions

NOTE

The SWR Meter used in this check is calibrated for a square-law detector and therefore the range changes and errors (read in dB) are twice that indicated by the meter.

Quick-check Procedures

1. Connect equipment as shown in Figure 4, with the Attenuator set to 0 dB attenuation.
2. Set Test Oscillator to 0.3 Vrms at 1 kHz.
3. Set the SWR Meter input to XTAL IMPED LOW and the range to 2 dB (expanded) for 355D or 355F or to 10 dB (with 0 dB expand) for 355C or 355E. Adjust its bandwidth to the center of the adjustment range. Fine tune oscillator frequency to obtain the maximum meter indication.
4. Set attenuator and SWR meter range switch as listed in Figure 3, and verify that the SWR meter indicates within the limits shown.

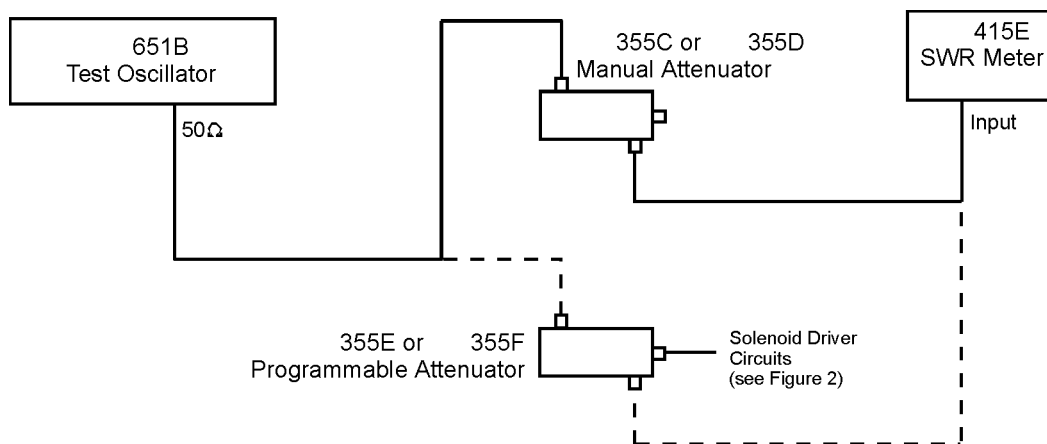


Figure 4 Operator's Check Schematic

Table 3 Operator's Checks

355C And 355E				
SWR Meter Range (dB)	Attenuation (dB)	Meter Indication (dB)		
		Min.	Actual	Max.
10	0		Set to 0.0	
10	1	0.45	_____	0.55
10	2	0.95	_____	1.05
10	3	1.45	_____	1.55
10*	4	1.95	_____	2.05
12	5	0.45	_____	0.55
12	6	0.95	_____	1.05
12	7	1.45	_____	1.55
12*	8	1.95	_____	2.05
14	9	0.45	_____	0.55
14	10	0.95	_____	1.05
14	11	1.45	_____	1.55
14*	12	1.95	_____	2.05
355D And 355F				
SWR Meter Range (dB)	Attenuation (dB)	Meter Indication (dB)		
		Min.	Actual	Max.
2	0		Set to 0.5	
6	10	1.35	_____	1.65
12	20	0.35	_____	0.65
16	30	1.35	_____	1.65
22	40	0.35	_____	0.65
26	50	1.35	_____	1.65
32	60	0.35	_____	0.65
36	70	1.35	_____	1.65
42	80	0.35	_____	0.65
46	90	1.35	_____	1.65
52	100	0.35	_____	0.65
56	110	1.35	_____	1.65
62	120	0.35	_____	0.65
*Adjust range by 2 dB, if needed to obtain an on-scale indication.				

Operating Instructions

Performance Tests

The attenuator can be tested to the accuracy of the specifications in Table 1 with an Automatic Network Analyzer or equivalent equipment of suitable accuracy. If an Automatic Network Analyzer is available, test the attenuator using the procedures in the analyzer's operating manual. The 355E and 355F attenuators must be programmed by a suitable circuit to provide the various values of attenuation (see Figure 3).

Adjustments

The attenuators have no internal adjustments and should not be opened. If defective, the attenuator should be returned to the nearest Agilent Technologies office for repair.

CAUTION

The solenoids in the 355E and 355F have been precisely adjusted at the factory. No attempt should be made to replace them except by factory approved service representatives. The operation of the attenuators will be unreliable if plungers are not kept with their proper solenoids. Do not interchange or "swap" them.

Replaceable Parts

Table 3 lists the replaceable parts which are the only parts that can be replaced without access to the interior of the attenuator. Any parts not listed in Table 3 needing replacement, return the instrument to Agilent Technologies.

CAUTION

Due to special fixtures necessary for assembly, do NOT attempt to replace any parts not listed in Table 3. If the instrument is opened, the warranty is void.

Table 4 *Replaceable Parts*

Description	Part Number	Quantity
355C		
Glide (feet)	0403-0026	4
Dial Assembly	0370-3070	1
Dial Assembly (Option 003)	00355-00001	1
355D		
Glide (feet)	0403-0026	4
Dial Assembly	0370-3071	1
Dial Assembly (Option 003)	00355-00002	1
355E and F		
Glide (feet)	0403-0026	4
Connector (7-pin, male)	1251-1037	1